

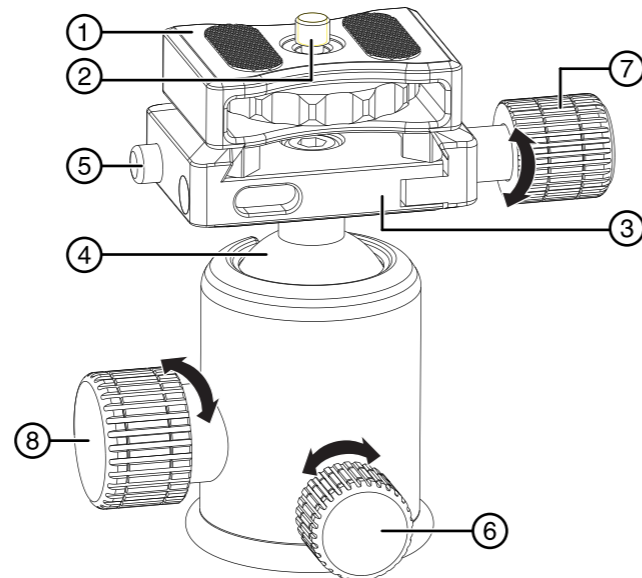
### Package contents

- Tripod with pan head
- Mounting plate
- **Note:** mounting plate is on the pan head.
- Wrench (1)
- *Quick Setup Guide*

### Important safety instructions

- Make sure that all levers, handles, knobs, and leg locks are correctly tightened, and that all three legs are fully opened before use.
- Do not carry or transport the tripod with camera or camcorder equipment attached (for example, over your shoulder or cradled in your arms).
- Do not store or expose your tripod to excessive heat or cold, or use near any flame or fire.
- Do not oil or grease any part of the tripod.
- Do not use any solvents or thinners to clean your tripod. Use only a mild detergent and wipe dry with only a soft, lint-free cloth.
- Do not exceed the load limit of this product. (See Specifications)

### Features

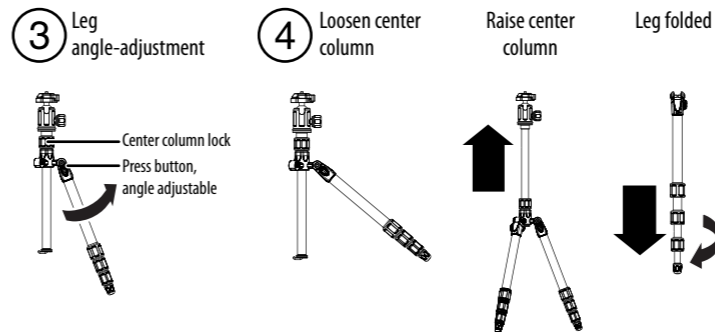


#	Component	Description
1	Quick-release mounting plate	Mount your device to this removable plate.
2	1/4" screw	Tighten to secure your device to the mounting plate.
3	Mounting base plate	Slide the quick-release mounting plate into this base plate.
4	Variable angle head ball	Allows the head to be adjusted to any angle.
5	Safety lock pin	Prevents the mounting plate from falling out when the quick-release plate locking knob is released.
6	Pan locking knob	Locks the horizontal movement of the head.
7	Quick-release plate locking knob	Locks the quick-release mounting base plate to the tripod.
8	Head ball locking knob	Sets the head at different angle. Loosen to permit movement of the head ball. Tighten to stop movement of the head ball.

### Using your tripod

#### To set up your tripod:

- 1 Unscrew the leg locks on each leg (three per leg) and extend the legs to the desired length.
- 2 Tighten the leg locks to lock the legs at the selected length.  
**Caution:** Incorrectly securing a leg lock can cause the tripod leg to retract unexpectedly and could result in damage to the tripod or to the attached camera or camcorder.
- 3 Press the variable leg angle release at the top of each tripod leg to spread the legs to the first preset angle. When each leg has been locked into the first preset angle, set the tripod on a firm surface.
- 4 Adjust the center column by unscrewing the center column lock, raising the center column to the desired height, then tightening the center column lock.
- 5 To remove the mounting plate, unscrew the quick-release plate locking knob, then press the safety lock pin and lift the plate away from the head.
- 6 Secure your camera or camcorder to the mounting plate with the 1/4" screw on the bottom of the plate. Tighten the screw firmly to avoid unintended lateral movement of your device.



### Specifications

Model	Folded height	Minimum operating height	Maximum operating height	Maximum tube diameter	Net weight	Maximum load capacity
RF-TRP47C	21.2 in (540 mm)	14.5 in (368 mm)	47 in (1194 mm)	.91 in (23 mm)	2.89 lbs. (1300 g)	15.4 lbs. (6.9 kg)

### One-year limited warranty

Visit [www.rocketfishproducts.com](http://www.rocketfishproducts.com) for details.

### Contact Rocketfish:

For customer service please call 1-800-620-2790  
[www.rocketfishproducts.com](http://www.rocketfishproducts.com)

Distributed by Best Buy Purchasing, LLC  
7601 Penn Avenue South, Richfield, MN 55423-3645 USA

© 2010 BBY Solutions, Inc., All Rights Reserved. ROCKETFISH is a trademark of BBY Solutions, Inc. All other products and brand names are trademarks of their respective owners.

Best Buy Imports, S. de R.L. de C.V. Av. Santa Fe 485, Segundo Piso, Colonia Cruz Manca, Programa Parcial de Desarrollo Santa Fe, Delegación Cuajimalpa, Distrito Federal, México 05349

© 2010 Best Buy UK Distributions Limited. All rights reserved. Distributed by Best Buy Europe Distributions Limited. 1 Portal Way, London W3 6RS

ENGLISH 10-0541